

### Receiver

Company  
Reference  
Address  
Phone  
Fax  
E-mail

**Item n° :** 60219350H  
**Customer pos. no.:**

**Model :**  
FEKA VS 1100 M - A

### Pump data

Free passage : 50 mm  
Pressure rating :  
Min. fluid temperature : 0  
Max. fluid temperature : 50 °C  
Max. Ambient temperature : 40 °C

### Requested data

Flow :  
Head :  
Fluid : Water  
Fluid Temperature : 20 °C  
Density : 998.3 kg/m³  
Kinematic viscosity : 1.005 mm²/s  
Vapor pressure : 2.34 kPa

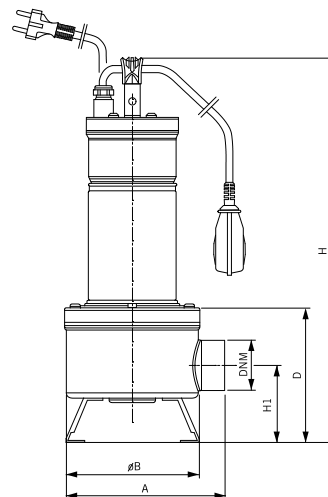
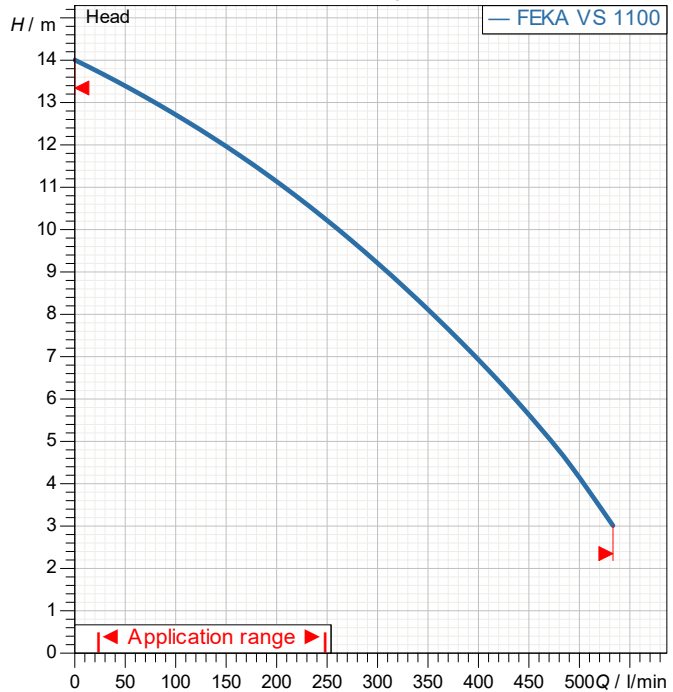
### Hydraulic data (duty point)

Flow :  
Head :

### Materials

Pump body : Stainless Steel AISI 304  
Impeller : Stainless Steel AISI 304  
Motor casing : Stainless Steel AISI 304  
Mechanical seal pump side : Silicon carbide/Silicon carbide  
Mechanical seal motor side : Carbon/Alumina  
Motor shaft pump side : Stainless Steel AISI 316  
Motor shaft motor side : Steel C10

### Curve tolerance according to ISO 9906



### Motor data

Motor brand : DAB  
Max Power input P1 : 1.6 kW  
Nominal power P2 : 1.1 kW  
Rated speed : 2800 1/min  
Rated voltage : 1~ 220-240 V 50 Hz  
Nominal current : 7.3 A  
Degree of protection : IP 68

**Weight :** 15.6 kg

### Dimensions in mm

A	203				
B	170				
D	172				
DNM	2" F				
H	515				
H1	98				

### Pump connection

Suction side : /  
Discharge side : 2" GAS / --



# PERFORMANCE CURVES

2026-04-20

Page 4 / 5

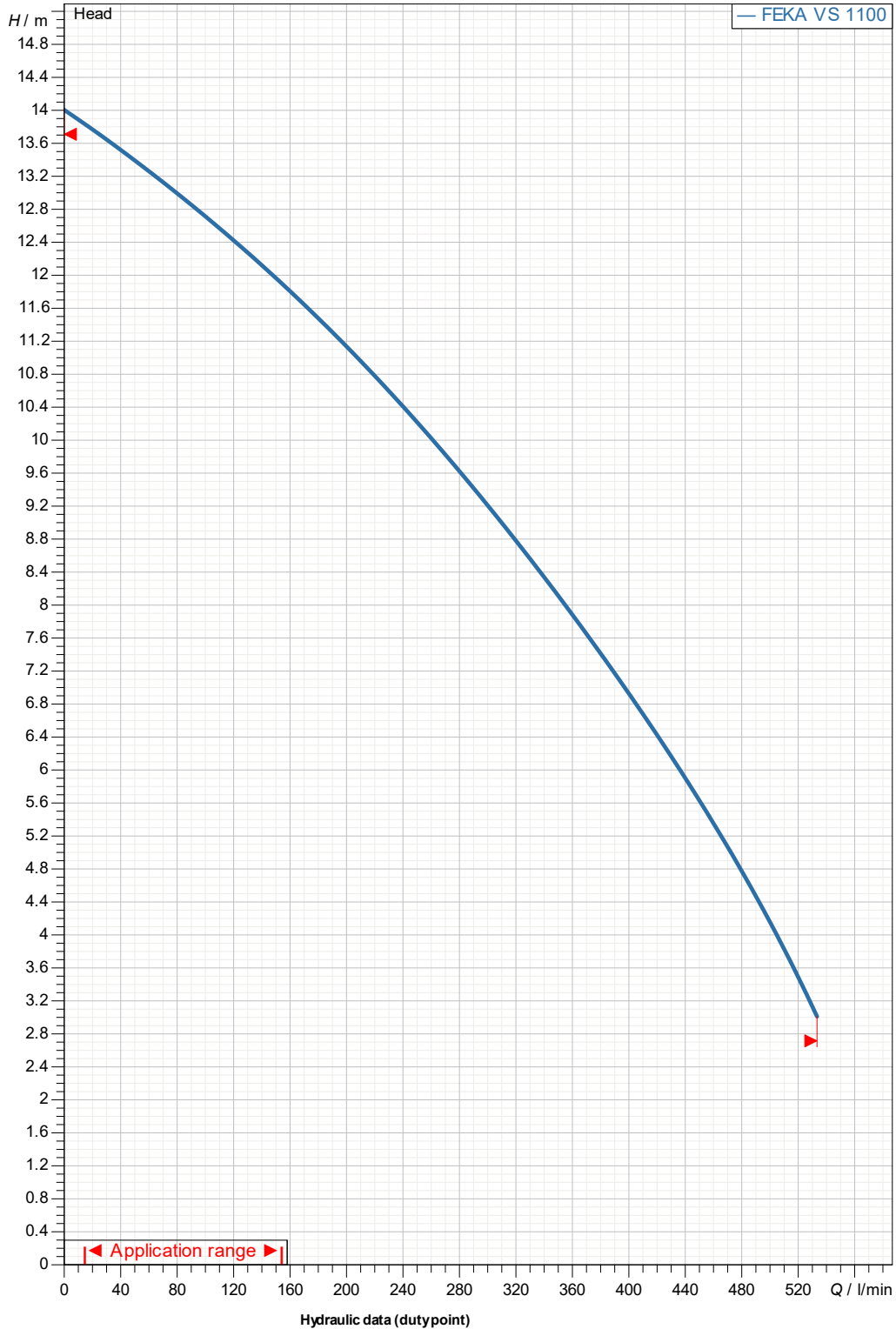
DAB PUMPS S.p.A.  
Via Marco Polo, 14 - 35035 Mestrino (PD), Italy  
Tel. +39 049 5125000 - Fax +39 049 5125950  
www.dabpumps.com

Receiver

Company  
Reference  
Address  
Phone  
Fax  
E-mail

## FEKA VS 1100 M - A

Curve tolerance according to ISO 9906



Suction side :

Discharge side :  
2" GAS  
--

Flow :

Head :

Rated speed :  
2800 1/min

MAIN\_PROJECT\_TITLE

BUSINESS\_PROCESS\_ID

OWNER\_

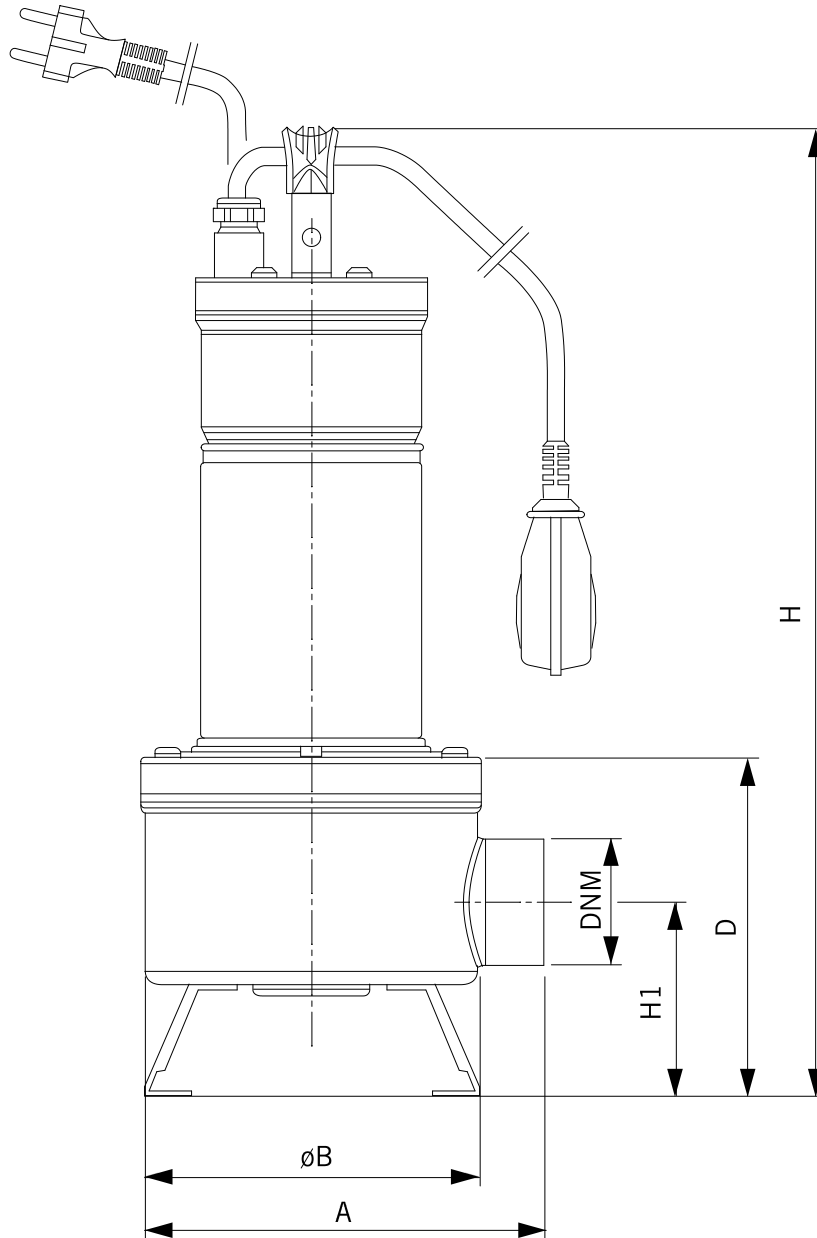
ISSUE\_DATE

2026-04-20

Receiver

Company  
Reference  
Address  
Phone  
Fax  
E-mail

**FEKA VS 1100 M - A**



Dimensions in mm

Pump connection

1	A	203					
2	B	170					Suction
3	D	172					
4	DNM	2" F					
5	H	515					Discharge
6	H1	98					2" GAS
7							--
8							
9							
10							
11							

MAIN\_PROJECT\_TITLE

BUSINESS\_PROCESS\_ID

OWNER\_

ISSUE\_DATE

2026-04-20