

Stainless Steel Ball Valve - Flanged PN16



LV 6350

Flanged PN16, Full Bore, CF8M Stainless Steel Body, Ball & Stem, PTFE Seats & Seals, Anti-blowout Stem, Anti-static Device, Firesafe Design



Pressure / Temperature Specifications

Pressure	PN16
Temperature	-10°C to 180°C

Material Specifications

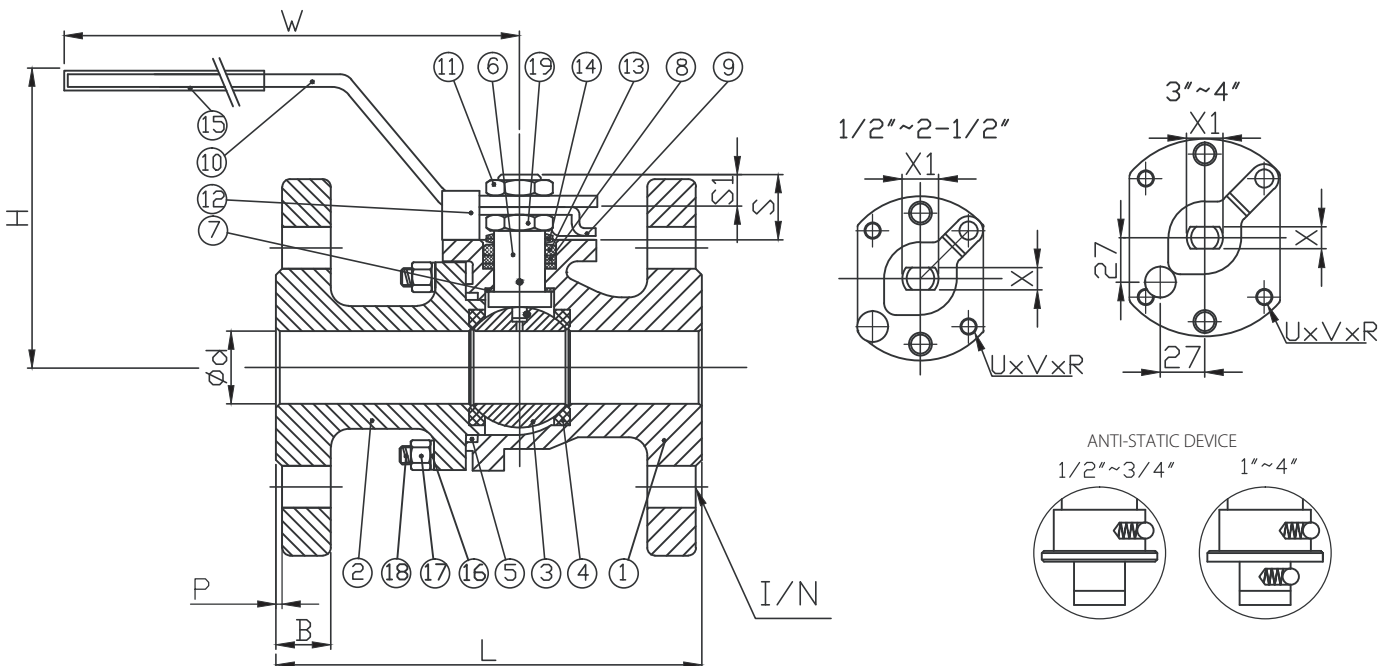
1. Body	CF8M Stainless Steel	11. Handle Nut	304 Stainless Steel
2. Cap	CF8M Stainless Steel	12. Stop Pin	304 Stainless Steel
3. Ball	CF8M Stainless Steel	13. Stem Ring	304 Stainless Steel
4. Seats	RPTFE	14. Belleville Washer	301 Stainless Steel
5. Joint Gasket	PTFE	15. Handle Cover	PVC
6. Stem	316 Stainless Steel	16. Spring Washer	304 Stainless Steel
7. Thrust Washer	PTFE	17. Nut	304 Stainless Steel
8. Stem Packing	PTFE	18. Stud Bolt	304 Stainless Steel
9. Stopper	304 Stainless Steel	19. Stem Nut	304 Stainless Steel
10. Handle	304 Stainless Steel		

Torque (Nm)

Size	Nm
½"	5.4
¾"	7.8
1"	10.6
1¼"	15.0
1½"	20.0
2"	29.0
2½"	50.0
3"	77.0
4"	110.0

Dimensions

Size	d	L	B	P	I/N	X	X1	U x V x R	S	S1	H	W	Kg
½"	15	115	14	2	14/4	8.6	M14x2.0	4-42xM5xP0.8	19.8	6.3	94	138	1.8
¾"	20	120	16	2	14/4	8.6	M14x2.0	4-42xM5xP0.8	21.0	7.5	97	138	2.5
1"	25	125	16	2	14/4	10	M16x2.0	4-50xM6xP1.0	24.3	9.1	115	173	3.4
1¼"	32	130	16	2	18/4	10	M16x2.0	4-50xM6xP1.0	25.8	10.8	119	173	4.6
1½"	38	140	16	3	18/4	12	M20x2.5	4-70xM8xP1.25	36.0	17.5	141	195	6.4
2"	50	150	18	3	18/4	12	M20x2.5	4-70xM8xP1.25	37.2	18.7	149	195	8.5
2½"	65	170	18	3	18/4	12	M20x2.5	4-70xM8xP1.25	37.5	19.0	164	220	12.1
3"	80	180	20	3	18/8	16	M27x3.0	4-102xM10xP1.5	47.0	26.1	172	328	17.9
4"	100	190	20	3	18/8	16	M27x3.0	4-102xM10xP1.5	44.3	23.4	187	328	23.3



Continues on Page 2

Stainless Steel Ball Valve - Flanged PN16



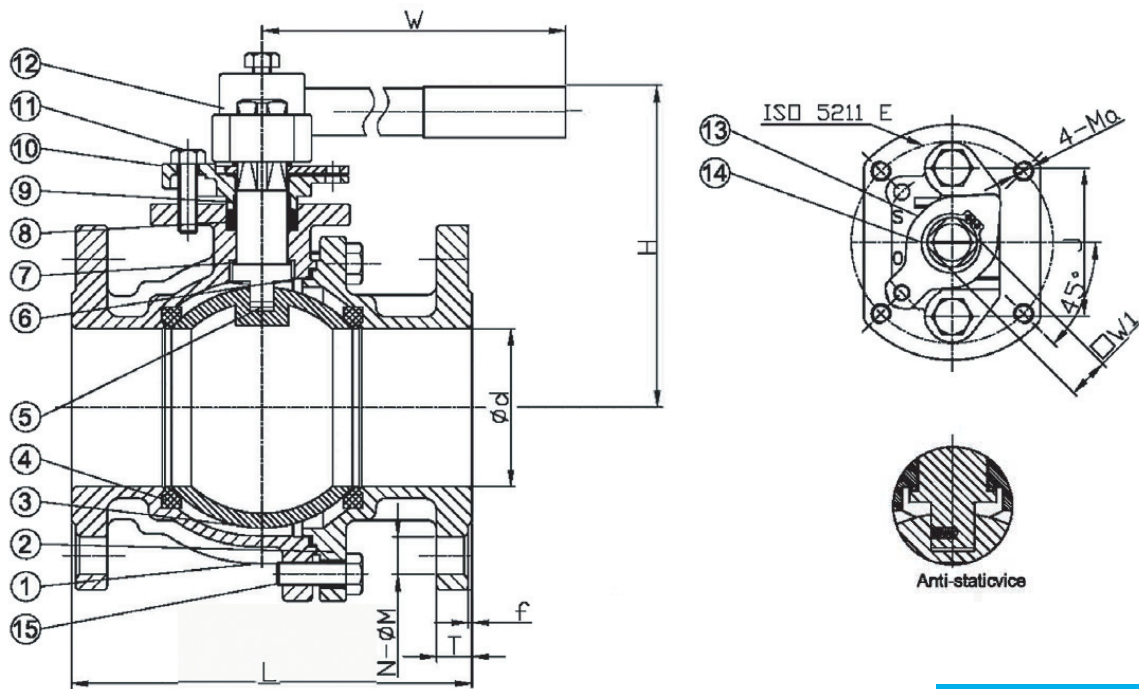
LV 6350

Material Specifications

1. Body	CF8M Stainless Steel	9. Stem Bushing	PTFE
2. Cap	CF8M Stainless Steel	10. Gland	304 Stainless Steel
3. Ball	CF8M Stainless Steel	11. Gland Bolt	304 Stainless Steel
4. Seats	RPTFE	12. Handle	FCD
5. Stem	316 Stainless Steel	13. Stopper	304 Stainless Steel
6. Gasket	PTFE	14. Snap Ring	304 Stainless Steel
7. Thrust Washer	PTFE + 25% Carbon	15. Bolt	304 Stainless Steel
8. Gland Packing	PTFE		

Dimensions

Size	d	L	T	f	N/M	W1	4-Ma	ISO	E	H	W	Kg
6"	150	350	22	3	8/22	24	M12	F12	125	247	750	53.0



Continues on Page 3

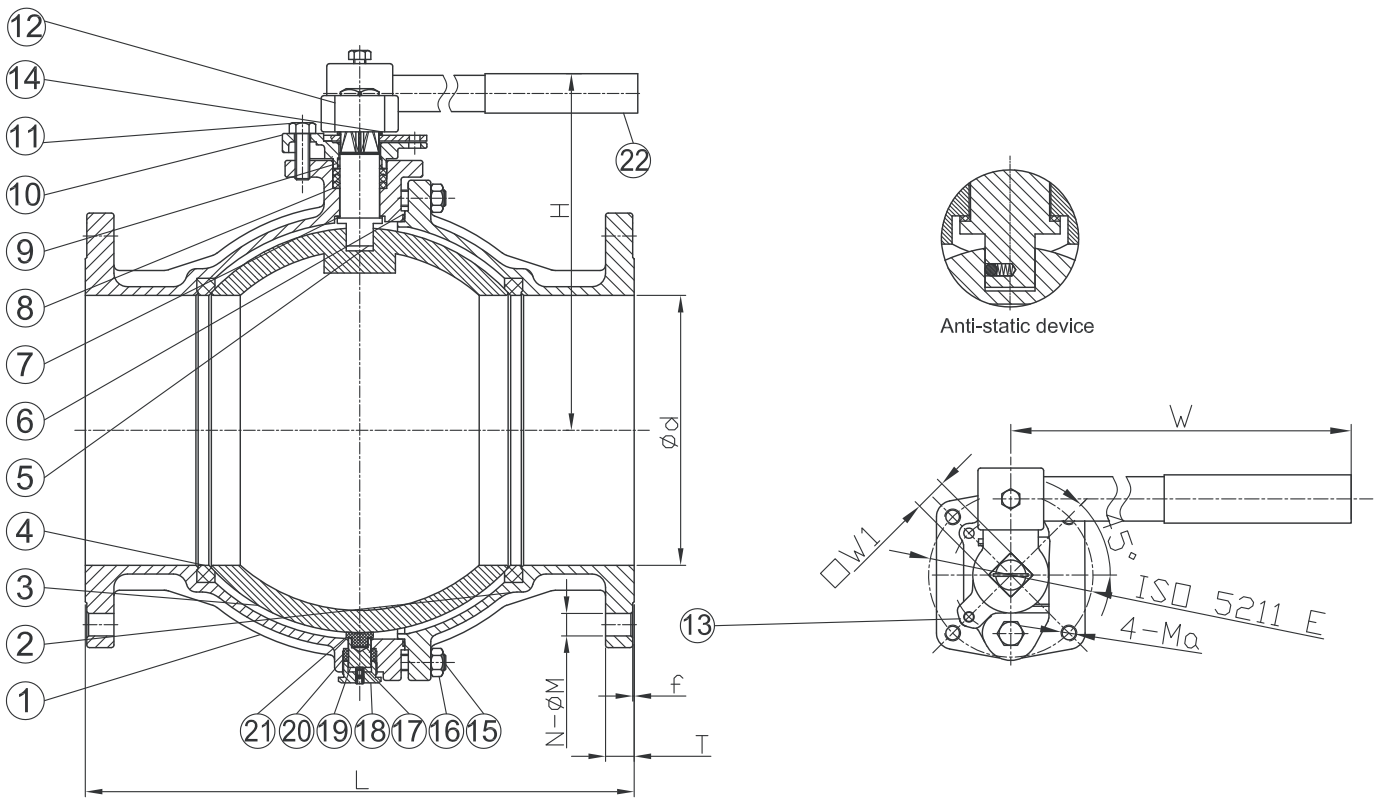
Stainless Steel Ball Valve - Flanged PN16



LV 6350

Material Specifications			
1. Body	CF8M Stainless Steel	12. Handle	1.0619 Carbon Steel
2. Cap	CF8M Stainless Steel	13. Stopper	304 Stainless Steel
3. Ball	CF8M Stainless Steel	14. Snap Ring	301 Stainless Steel
4. Seats	RPTFE	15. Stud	304 Stainless Steel
5. Stem	316 Stainless Steel	16. Nut	304 Stainless Steel
6. Gasket	PTFE	17. Tuning Screw	304 Stainless Steel
7. Thrust Washer	PTFE + 25% Carbon	18. Support Nut	304 Stainless Steel
8. Packing	PTFE	19. Support Pin	316 Stainless Steel
9. Stem Packing	PTFE	20. Pin Packing	Graphite
10. Gland	304 Stainless Steel	21. Pin Seat	PTFE
11. Gland Packing	304 Stainless Steel	22. Handle Cover	PVC

Dimensions												
Size	d	L	T	f	N/M	W1	4-Ma	ISO	E	H	W	Kg
8"	200	400	24	3	12/22	32	M12	F12	125	305	1000	80.0



Last updated 16/09/2021