

# Stainless Steel Wafer Pattern Butterfly Valve - EPDM Liner



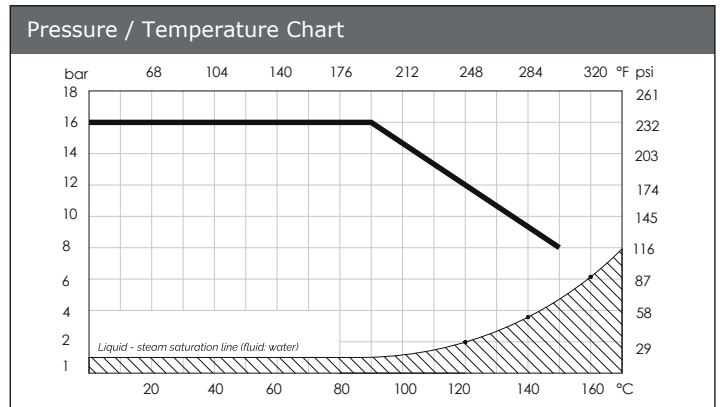
LV 9952

ISO 5211 for Direct Mount, Stainless Steel Body & Disc, EPDM Liner,  
Stainless Steel Locking Lever Operation.  
Complies with 97/23/CE (PED) Directive CE 1115.



Pressure / Temperature Specifications	
Pressure	PN16
Temperature	-10°C to 120°C (130°C Peak)

Material Specifications	
1. Body	CF8M Stainless Steel
2. Disc	CF8M Stainless Steel
3. Stem	AISI 316 Stainless Steel
4. Liner	EPDM
5. Bushing	PTFE
6. Washer	A4 Stainless Steel
7. Circlip	A4 Stainless Steel
8. O-ring	Viton
9. Lever	Stainless Steel
10. Bolts	A4 Stainless Steel



Weight		
Size	with Lever	with Gearbox
2"	2.1	6.1
2½"	2.4	6.4
3"	3.1	6.9
4"	4.1	7.9
5"	6.1	9.4
6"	7.5	10.8
8"	14.1	21.4

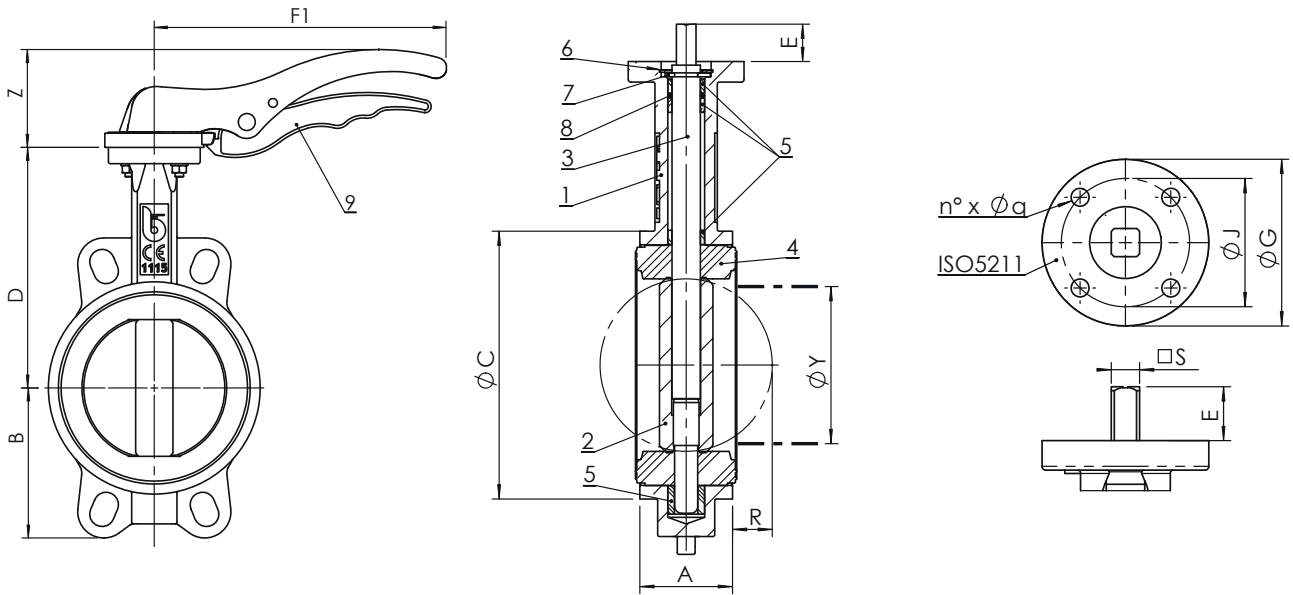
Operating Torque (Nm)				
Size	3 Bar	6 Bar	10 Bar	16 Bar
2"	11.3	12.0	13.0	13.0
2½"	17.0	18.0	20.0	21.0
3"	23.0	25.0	26.0	28.0
4"	33.0	36.0	40.0	44.0
5"	48.0	54.0	61.0	68.0
6"	68.0	78.0	88.0	99.0
8"	120.0	134.0	148.0	162.0

KV Values									
Size	10°	20°	30°	40°	50°	60°	70°	80°	90°
2"	0.05	2.6	6.0	13.0	23.0	38.0	60.0	91.0	99.0
2½"	0.00	3.8	14.0	33.0	53.0	75.0	98.0	108.0	108.0
3"	0.17	7.8	16.0	34.0	60.0	100.0	158.0	237.0	261.0
4"	0.26	15.0	31.0	67.0	120.0	199.0	314.0	471.0	518.0
5"	0.43	25.0	53.0	115.0	205.0	339.0	535.0	803.0	883.0
6"	0.69	39.0	82.0	177.0	316.0	522.0	827.0	1241.0	1364.0
8"	2.6	52.0	142.0	250.0	450.0	713.0	1122.0	1723.0	2716.0

# Stainless Steel Wafer Pattern Butterfly Valve - EPDM Liner



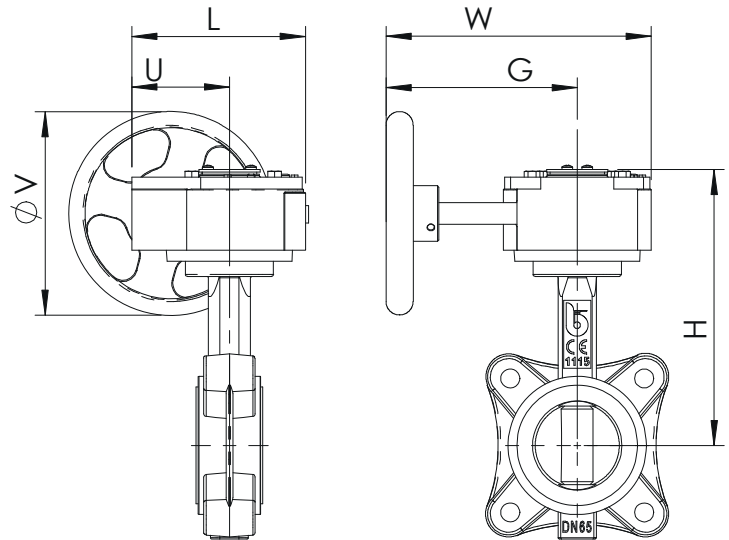
LV 9952



Dimensions								
Size	A	B	ØC	D	F1	R	ØY	Z
2"	43	62	89	126	170	5	31	50
2½"	46	69	102	136	170	9	45	50
3"	46	90	118	150	206	17	65	69
4"	52	106	150	170	206	26	90	69
5"	56	119	174	180	285	34	110	90
6"	56	131	205	200	285	50	146	90
8"	60	166	260	230	400	71	194	72

Mounting Plate Dimensions						
Size	ISO	G	J	No x Øq	S	E
2"	F05	65	50	4 x 7	9	21
2½"	F05	65	50	4 x 7	9	21
3"	F05	65	50	4 x 7	11	21
4"	F05	65	50	4 x 7	11	21
5"	F07	90	70	4 x 9	14	27
6"	F07	90	70	4 x 9	14	27
8"	F10	125	102	4 x 11	17	27

Dimensions with Gearbox						
Size	L	U	H	W	G	V
2"	130	77	188	225	170	150
2½"	130	77	198	225	170	150
3"	130	77	212	225	170	150
4"	130	77	232	225	170	150
5"	130	77	242	225	170	150
6"	130	77	262	225	170	150
8"	180	104	308	338	260	300

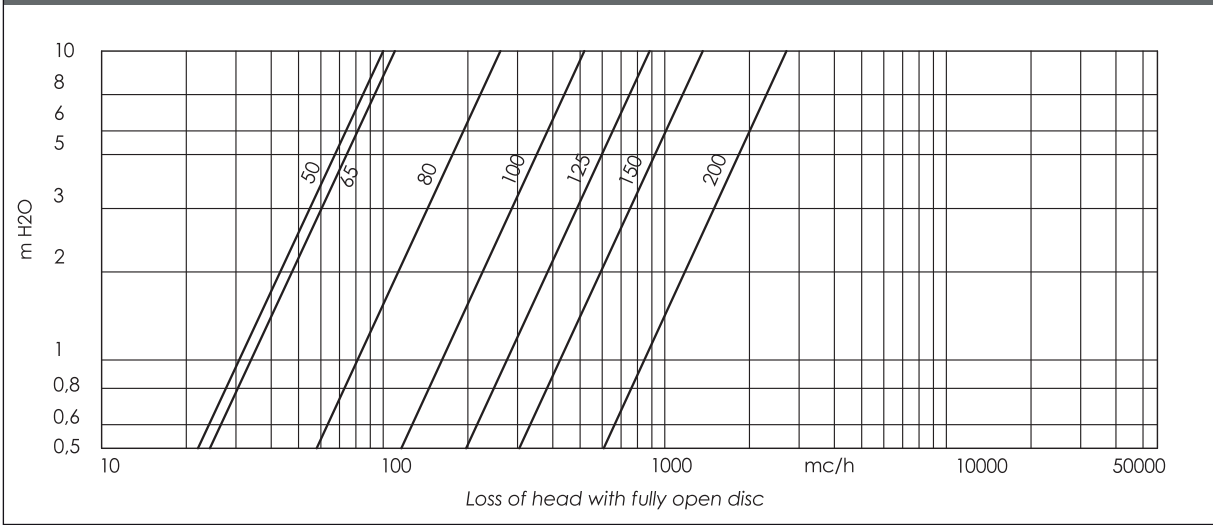


# Stainless Steel Wafer Pattern Butterfly Valve - EPDM Liner



LV 9952

Head Loss Chart (Fluid: Water [1m H<sub>2</sub>O = 0.098 Bar] Head Loss with Valve Fully Opened)



Flow Rate / Opening Position Chart (Flow percentage on the flow at full opening under the same head loss)

