



DATA SHEET

14/01/2013

Page 1 / 3

Receiver

From

Society
Reference
Address
Phone
Fax
E-mail

Item no. 60150938

Pump data :

Model : EVOPLUS 40/180 M
Pressure rating : 16 bar (1600 kPa)
Min. fluid temperature : -10 °C
Max. fluid temperature : 110 °C
EEI : ≤ 0,23

Minimum suction head :

Temperature °C 90 - 110
Minimum suction head m 10 - 20

Requested data :

Flow 0.00 m³/h
Head 0.00 m
Fluid : Water, pure
Fluid Temperature : 20 °C
Density : 998.3 kg/m³
Kinematic viscosity 1.005 mm²/s
Vapor pressure : 100.00 kPa

Hydraulic data (duty point)

Flow
Head

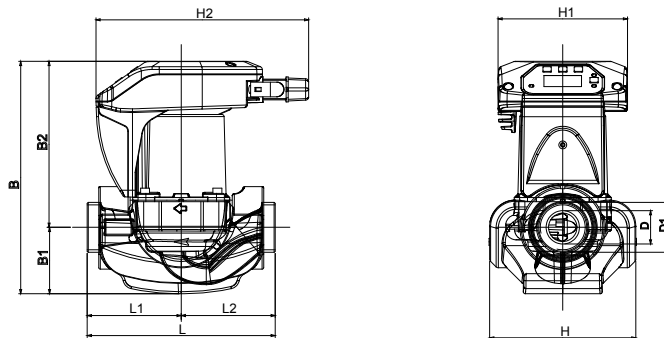
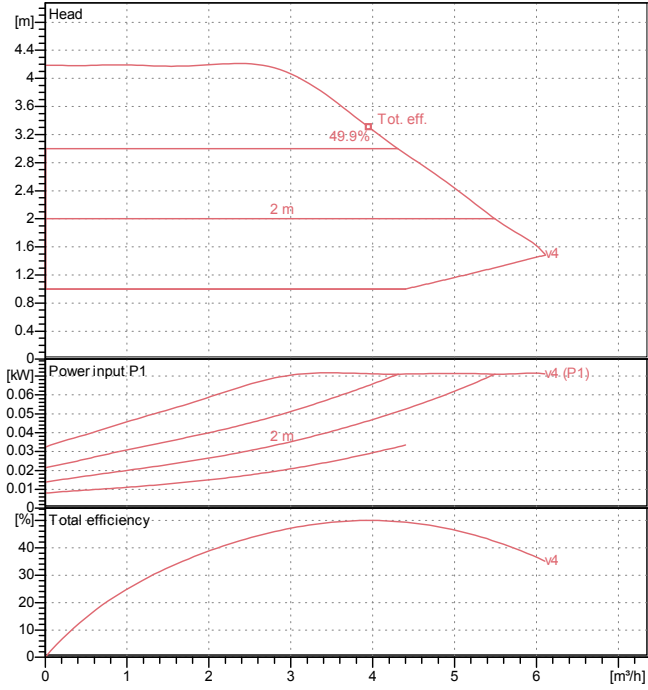
Materials :

Pump body Cast iron 250 UNI ISO 185 - CTF
Impeller Technopolymer
Motor shaft Alumina
Seal ring EPDM
Motor casing Die cast aluminium
Closing flange Stainless steel
Thrust ring support EPDM

Motor data :

Brand : DAB
Power input P1 0.0706 kW
Rated voltage : 1~ 220-240 V 50 Hz
Nominal current : 0.52 A
Degree of protection : IP 44

Curve tolerance according to ISO 9906



Dimensions in mm

B	223	H1	124				
B1	64	H2	204				
B2	159	L	180				
D	32	L1	90				
D1	1"1/2 G	L2	90				
H	140						

Weight : 2.8 kg

Pump connection

Suction side 1"1/2 G / 16 bar (1600 kPa)
Discharge side 1"1/2 G / 16 bar (1600 kPa)



PERFORMANCE CURVES

14/01/2013

Page 2 / 3

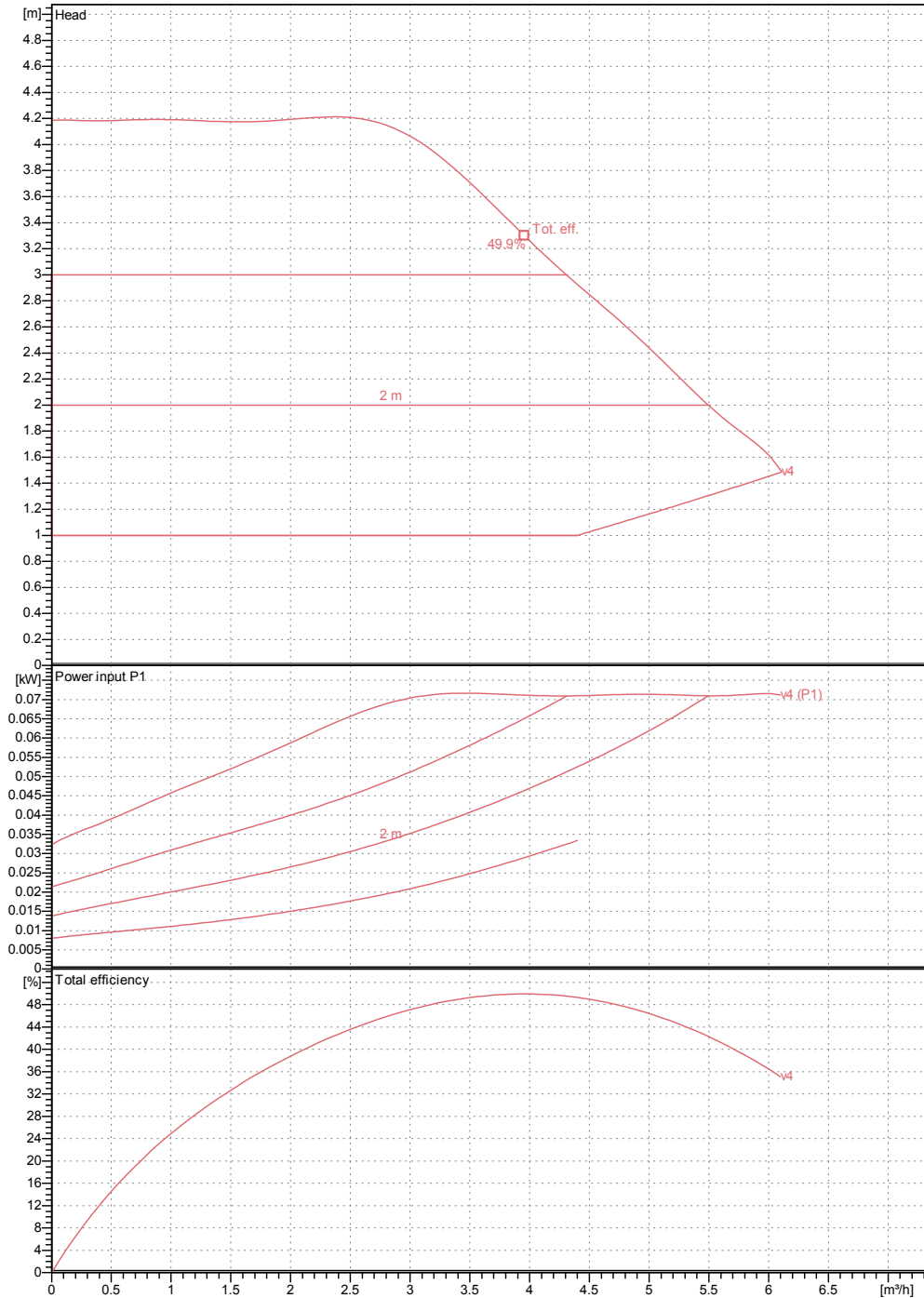
Receiver

From

Society
Reference
Address
Phone
Fax
E-mail

EVOPLUS 40/180 M

Curve tolerance according to ISO 9906



Hydraulic data (duty point)

Suction side 1"1/2 G 16 bar (1600 kPa)	Discharge side 1"1/2 G 16 bar (1600 kPa)	Flow 0 m³/h	Head 0 m	Speed 2900 rpm
Project	Project ID	Created by	Created on 14/01/2013	



DIMENSIONAL DRAWING

14/01/2013

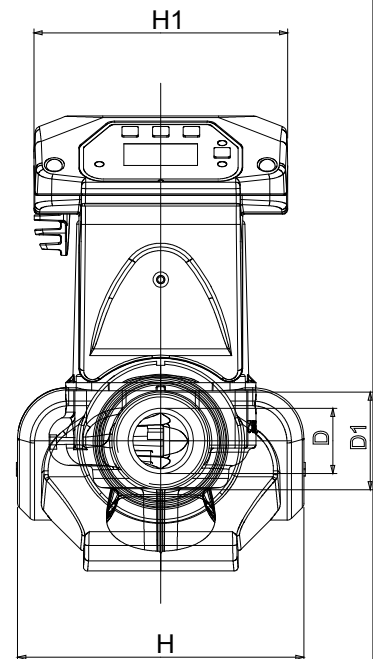
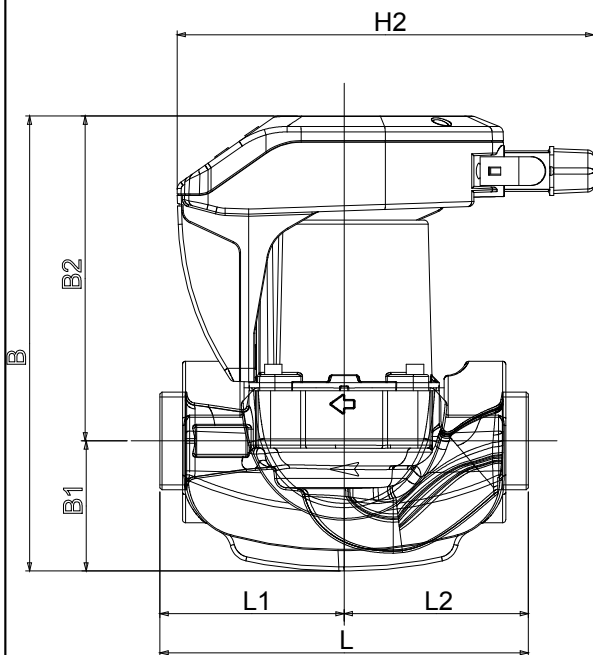
Page 3 / 3

Receiver

From

Society
Reference
Address
Telefono
Fax
E-mail

EVOPLUS 40/180 M



Dimensions in mm										Pump connection
1	B	223	L2	90						Suction 1"1/2 G 16 bar (1600 kPa) Discharge 1"1/2 G 16 bar (1600 kPa)
2	B1	64								
3	B2	159								
4	D	32								
5	D1	1"1/2 G								
6	H	140								
7	H1	124								
8	H2	204								
9	L	180								
10	L1	90								
Project			Project ID			Created by			Created on 14/01/2013	