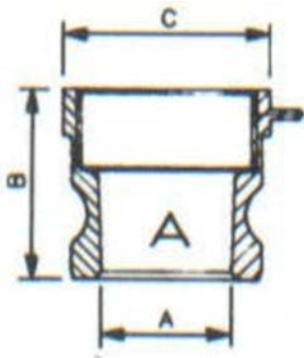
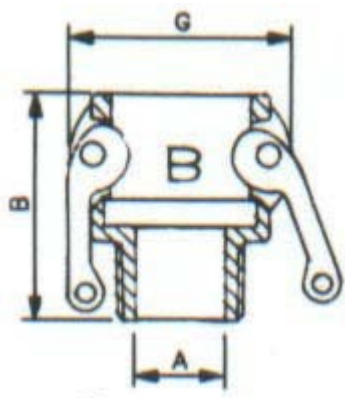


Type A



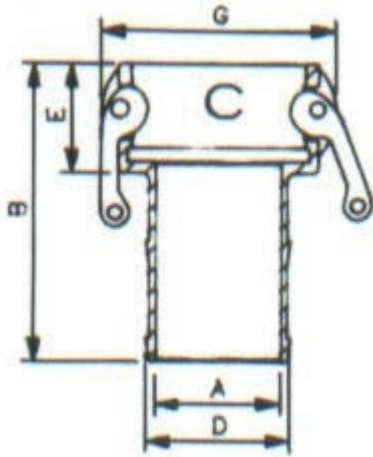
Size	½	¾	1	1.25	1.5	2	2.5	3	4	5	6
Dim	13	19	25	32	40	50	65	75	100	125	150
A	13	20	24	28	35	45	55	72	97	121	145
B	37	41	46	55	58	62	89	71	80	85	89
C	26	35	38	47	56	69	82	101	126	150	182

Type B



Size	½	¾	1	1.25	1.5	2	2.5	3	4	5	6
Dim	13	19	25	32	40	50	65	75	100	125	150
A	14	19	23	30	36	47	60	72	100	123	150
B	47	54	62	68	72	79	87	91	99	103	113
G	39	54	60	80	81	89	105	90	148	175	220

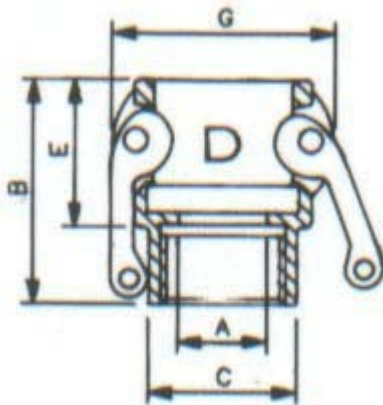
Type C



**COLLISTER
& GLOVER**

Size	½	¾	1	1.25	1.5	2	2.5	3	4	5	6
Dim	13	19	25	32	40	50	65	75	100	125	150
A	10	13	19	26	32	43	56	66	90	106	144
B	73	87	97	104	109	125	136	160	170	187	256
D	15	21	27	33	41	53	68	76	103	130	155
E	31	35	40	46	47	53	56	58	62	65	66
G	39	54	60	79	86	97	105	121	148	175	220

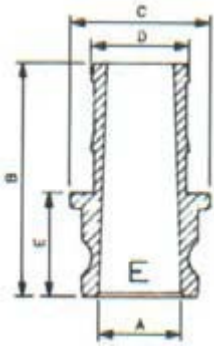
Type D



**COLLISTER
& GLOVER**

Size	½	¾	1	1.25	1.5	2	2.5	3	4	5	6
Dim	13	19	25	32	40	50	65	75	100	125	150
A	14	21	25	30	36	46	56	73	101	121	141
B	48	53	60	70	74	81	87	90	100	102	108
C	26	34	40	51	57	68	82	98	124	152	181
E	32	35	39	46	47	54	57	59	61	63	68
G	39	54	59	70	80	89	105	121	150	180	220

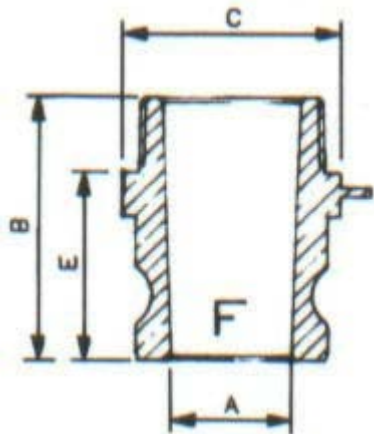
Type E



**COLLISTER
& GLOVER**

Size	½	¾	1	1.25	1.5	2	2.5	3	4	5	6
Dim	13	19	25	32	40	50	65	75	100	125	150
A	14	20	25	28	36	45	55	72	96	120	143
B	64	84	93	104	110	128	135	160	168	193	243
C	29	35	38	49	58	76	79	98	122	162	178
D	15	21	27	34	40	53	66	78	102	126	152
E	29	34	37	46	49	57	57	58	60	71	76

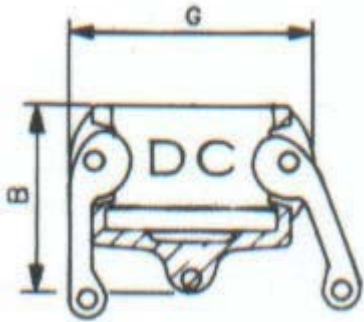
Type F



**COLLISTER
& GLOVER**

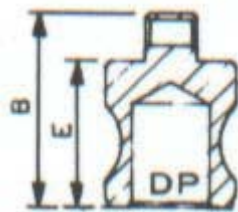
Size	½	¾	1	1.25	1.5	2	2.5	3	4	5	6
Dim	13	19	25	32	40	50	65	75	100	125	150
A	13	21	25	28	36	45	55	72	96	124	151
B	56	59	68	78	81	87	101	103	118	127	121
C	26	35	38	47	56	68	79	101	126	150	181
E	37	41	45	54	58	62	69	71	79	82	78

Type DC



Size	½	¾	1	1.25	1.5	2	2.5	3	4	5	6
Dim	13	19	25	32	40	50	65	75	100	125	150
B	43	46	52	60	63	70	73	78	90	105	113
G	39	54	59	70	80	89	105	121	150	180	220

Type DP



Size	½	¾	1	1.25	1.5	2	2.5	3	4	5	6
Dim	13	19	25	32	40	50	65	75	100	125	150
B	36	38	46	53	55	63	68	66	70	75	88
E	27	25	34	41	41	49	53	52	54	53	90

NOTE: All dimensions are typical only. The precise dimension of parts will vary from material to material. If dimensions are critical to an application, we strongly recommend that you contact us to obtain detailed information.