



CHECK VALVE

MODEL CK3MG STAINLESS STEEL

HIGH-CAPACITY DISK TYPE CHECK VALVE WITH CENTER GUIDED VALVE DISC

Features

All stainless steel check valve for steam, water and other liquid services.

1. Fine-machined metal valve seat provides tight closure.
2. Stainless steel body and internal parts ensure long service life.
3. Smooth movement of the center guided valve disc further increases durability.
4. Low pressure drop due to large flow area.
5. Performance assured with installation in either horizontal or vertical pipelines.



Specifications

Model		CK3MG
Connection		Screwed
Size		1", 1½", 2", 3"
Maximum Operating Pressure (barg)	PMO	21
Minimum Opening Differential Pressure (bar)		0.01
Maximum Operating Temperature (°C)	TMO	220
Minimum Operating Temperature (°C)		-100*
Application		Steam, water and other liquids**

* Subject to limitations of freezing point of fluid

** Do not use for toxic, flammable or otherwise hazardous fluids

1 bar = 0.1 MPa

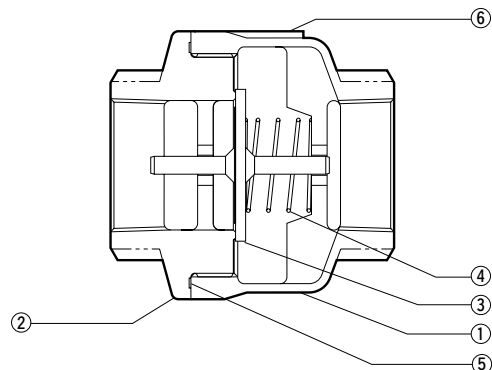
PRESSURE SHELL DESIGN CONDITIONS (**NOT** OPERATING CONDITIONS): Maximum Allowable Pressure (barg) PMA: 32
Maximum Allowable Temperature (°C) TMA: 220



To avoid abnormal operation, accidents or serious injury, DO NOT use this product outside of the specification range. Local regulations may restrict the use of this product to below the conditions quoted.

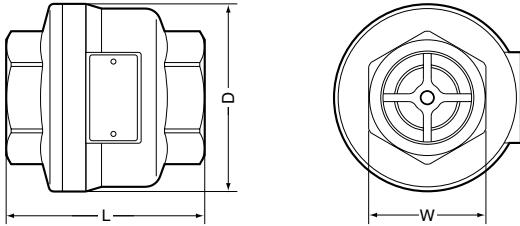
No.	Description	Material	DIN*	ASTM/AISI*
①	Valve Body	Cast Stainless Steel A351 Gr.CF8	1.4312	—
②	Inlet Union	Cast Stainless Steel A351 Gr.CF8	1.4312	—
③	Valve Disc	Stainless Steel SUS304	1.4301	AISI304
④	Coil Spring	Stainless Steel SUS304	1.4301	AISI304
⑤	Union Gasket	Fluorine Resin PTFE	PTFE	PTFE
⑥	Nameplate	Stainless Steel SUS304	1.4301	AISI304

* Equivalent materials



Dimensions

● **CK3MG** Screwed



CK3MG Screwed* (mm)

Size	L	φ D	W	Weight (kg)
1"	84	70	41	1.0
1½"	122	102	60	2.6
2"	127	120	75	3.7
3"	171	151	100	5.5

* BSP DIN 2999, other standards available

Cv & Kvs Values

Size	1"	1½"	2"	3"
Kvs (DIN)	21	47	78	154
Cv (UK)	21	46	76	150
Cv (US)	25	55	91	180

Manufacturer

ISO 9001/ISO 14001

TLV CO., LTD.
Kakogawa, Japan

is approved by LRQA Ltd. to ISO 9001/14001

