

CT 61

Peripheral Pump



Construction

Close-coupled peripheral pump (regenerative pump) with turbine impeller. Compact, patented construction with single-piece motor casing and pump-side wall. Protected against water entering the motor from outside.

CT: version with pump casing in cast iron.

B-CT: version with pump casing in bronze (the pumps are supplied fully painted).

Applications

For clean liquids without abrasives, without suspended solids, non-explosive, non-aggressive for the pump materials. For increasing network pressure (follow local specifications). For the reduced dimensions, these pumps are very well suitable to be mounted in cooling and air-conditioning machines and equipments, circulation.

Operating conditions

Liquid temperature up to 60 °C.
 Ambient temperature up to 40 °C.
 Total suction lift up to 7 m.
 Continuous duty.

Motor

2-pole induction motor, 50 Hz ($n \approx 2900$ rpm).

CT 61: three-phase 230/400 V $\pm 10\%$.

CTM 61: single-phase 230 V $\pm 10\%$, with thermal protector. Capacitor inside the terminal box.

Insulation class F.

Protection IP 54.

Constructed in accordance with: EN 60034-1; EN 60335-1, EN 60335-2-41.

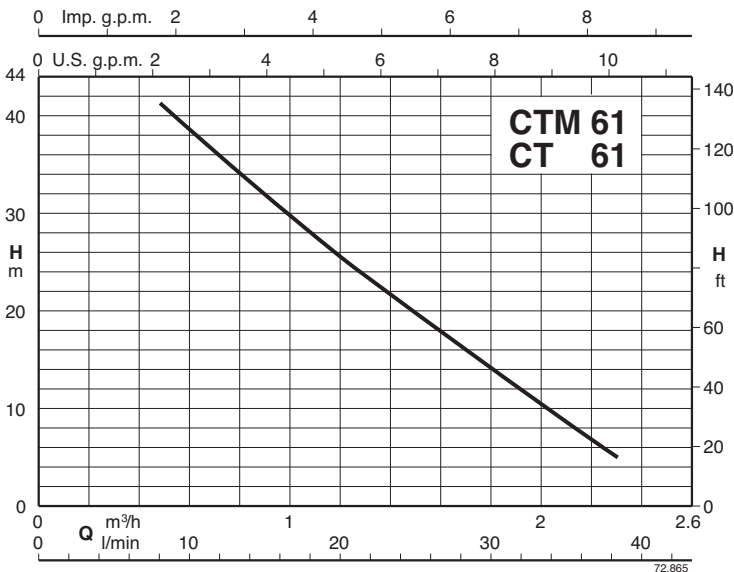
Special features on request

- Other voltages.
- Frequency 60 Hz (as per 60 Hz data sheet).
- Special mechanical seal.

Materials

| Components | CT 61 | B-CT 61 |
|-------------------------|---|------------------------------|
| Pump casing | Cast iron GJL 200 EN 1561 | Bronze G-Cu Sn 10 EN 1982 |
| Casing cover motor side | Brass P- Cu Zn Pb 2 UNI 5705 | |
| Impeller | Brass P- Cu Zn Pb 2 UNI 5705 | |
| Shaft | Chrome steel 1.4104 EN 10088 (AISI 430) | |
| Mechanical seal | Carbon - Ceramic - NBR | |

Coverage chart $n \approx 2900$ rpm



CT 61

Peripheral Pump



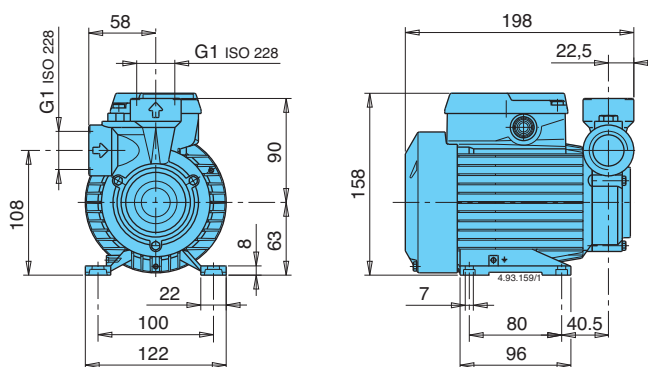
Performance $n \approx 2900$ rpm

| 3~ | 230V 400V | | 1~ | 230V | P ₂ | | Q | | | | | | | | |
|-----------|-----------|-----|------------|------|----------------|------|-----|----|-------------------|------|-----|------|------|-----|-----|
| | A | A | | | A | kW | | HP | m ³ /h | 0,48 | 0,6 | 0,75 | 0,96 | 1,2 | 1,5 |
| CT 61/A | 1,9 | 1,1 | CTM 61/A | 2,5 | 0,33 | 0,45 | H m | 41 | 38,5 | 35,5 | 31 | 25,5 | 19 | 11 | 3 |
| B-CT 61/A | | | B-CTM 61/A | | | | | | | | | | | | |

H Total head in m.

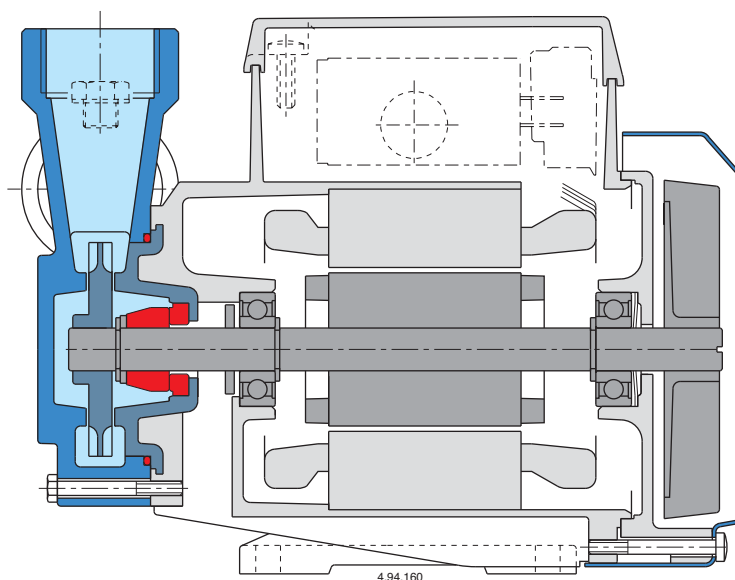
P₂ Rated motor power output.

Dimensions and weights



CT 61/A **4,9** kg
 CTM 61/A **5** kg
 B-CT 61/A **5,1** kg
 B-CTM 61/A **5,2** kg

Features



4.94.160

CT 60

Peripheral Pump



Construction

Close-coupled peripheral pump (regenerative pump) with turbine impeller.

Compact, patented construction with single-piece motor casing and pump-side wall.

Protected against water entering the motor from outside.

Applications

For clean liquids without abrasives, without suspended solids, non-explosive, non-aggressive for the pump materials.

For increasing network pressure (follow local specifications).

For the reduced dimensions, these pumps are very well suitable to be mounted in cooling and air-conditioning machines and equipments, circulation.

Operating conditions

Liquid temperature up to 60 °C.

Ambient temperature up to 40 °C.

Total suction lift up to 7 m.

Continuous duty.

Motor

2-pole induction motor, 50 Hz ($n \approx 2900$ rpm).

CT 60: three-phase 230/400 V $\pm 10\%$.

CTM 60: single-phase 230 V $\pm 10\%$, with thermal protector. Capacitor inside the terminal box.

Insulation class F.

Protection IP 54.

Constructed in accordance with: EN 60034-1;

EN 60335-1, EN 60335-2-41.

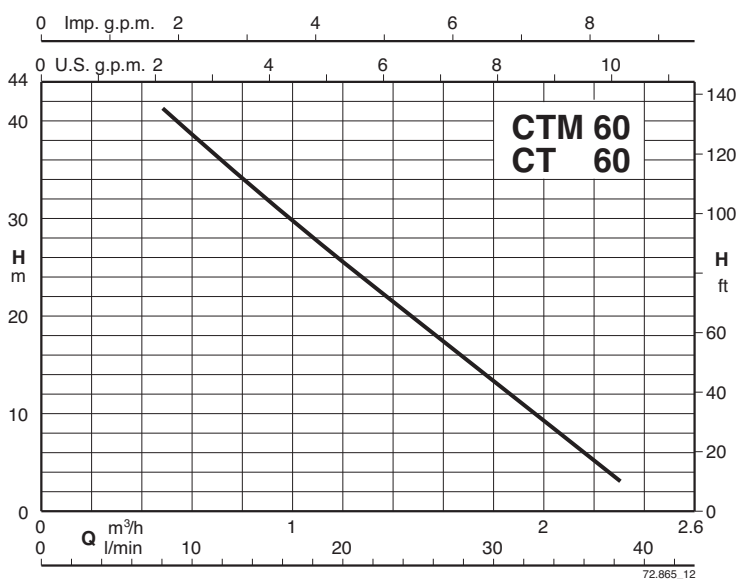
Materials

| Components | Materials |
|-------------------------|---|
| Pump casing | Cast iron GJL 200 EN 1561 |
| Casing cover motor side | Brass P- Cu Zn Pb 2 UNI 5705 |
| Impeller | Brass P- Cu Zn Pb 2 UNI 5705 |
| Shaft | Chrome steel 1.4104 EN 10088 (AISI 430) |
| Mechanical seal | Carbon - Ceramic - NBR |

Special features on request

- Other voltages.
- Frequency 60 Hz (as per 60 Hz data sheet).
- Special mechanical seal.

Coverage chart $n \approx 2900$ rpm



CT 60

Peripheral Pump



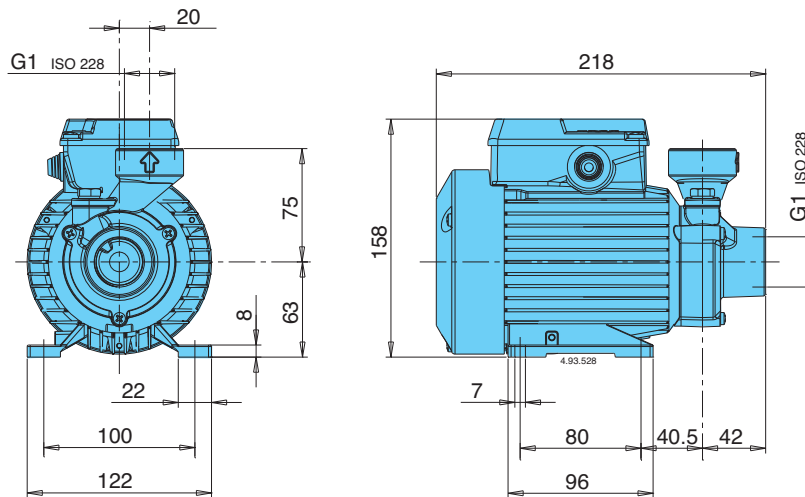
Performance $n \approx 2900$ rpm

| 3~ | 230V 400V | | 1~ | 230V | | P ₂ | | Q | | | | | | | | |
|----------------|-----------|-----|-----------------|------|------|----------------|-------------------|-------|------|------|------|------|-----|------|------|----|
| | A | A | | A | kW | HP | m ³ /h | 0,48 | 0,6 | 0,75 | 0,96 | 1,2 | 1,5 | 1,89 | 2,3 | |
| | | | | | | | | l/min | 8 | 10 | 12,5 | 16 | 20 | 25 | 31,5 | 38 |
| CT 60/A | 1,9 | 1,1 | CTM 60/A | 2,5 | 0,33 | 0,45 | H m | 41 | 38,5 | 35,5 | 31 | 25,5 | 19 | 11 | 3 | |

H Total head in m.

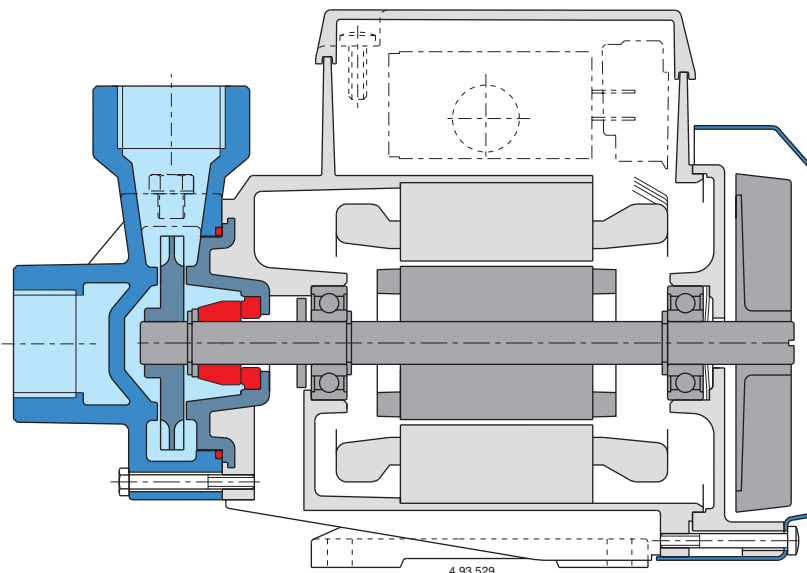
P₂ Rated motor power output.

Dimensions and weights



CT 60/A 4,9 kg
CTM 60/A 5 kg

Features



Patented

4.93.529