

ABS lifting station Sanisett 1 and 2

Synthetic, single or twin pumping station, designed as a complete wastewater sump for above- or below-ground installation and for fitting with ABS pumps from the Robusta, Coronada, IP, Piranha and MF ranges.



Application

For the effective dewatering of domestic and commercial wastewater (faecal-free), from buildings and areas below the sewer level in accordance with EN 12050-2.

In addition to the pumping of wastewater from washing machines, sinks, dishwashers, showers and bathtubs, the Sanisett is suitable also for the pumping of sewage containing faecal matter outside of areas covered by EN when installed using Piranha pump(s).

For applications where pumping cannot be interrupted the twin pumping station unit should be installed.

Features

- Globular shape for extra strength. Below-ground version has PP-30GF manhole cover with floor run-off and option of odour lock with aeration and venting. Above-ground version has a plastic lid (tank must be vented above roof level).
- Universally adjustable in height and can be swivelled, thus allowing easy alignment with floor levels and tiling patterns, independent of the inflow or direction of the discharge lines.
- Sanisett 1 for one KS version pump (Coronada, IP, Piranha, MF) or pump with built-in level control (Robusta).
- Sanisett 2 for two non-KS pumps. Separate KS level control system, with support bracket for discharge line junction piece and KS float switches.
- Two inflow ports at 90° offset (DN 100/150) for DIN push-on connection. One port DN 70 for venting and use as a cable duct (supplied as standard with plug/cable inlet seal). One discharge port DN 50 with 63 mm Plasson adaptor.
- Plastic cover for protection of the floor grating during installation work supplied as standard.
- Heads up to 20 m with Piranha 08/09 pumps.
- Suitable for use as a floor drain.
- Maximum allowable temperature of medium 40 °C, short term to 60 °C (max. 5 minutes).

Tank

Synthetic, corrosion-resistant, gas- and odour-tight tank, in accordance with EN 12050-2. Supplied as standard with cover, seals, junction piece, pipe adapters and support bracket. Pump(s) and installation kit not included.

Capacity: 180 litres

Weight: 14 kg (without pump)

Motor

Water pressure sealed, squirrel cage 2-pole induction motor.

Insulation: Class F to 155 °C

Protection type: IP 68

Pump

- ABS Robusta light drainage pump 200 WTS, for pumping of ground and rain water, water from hand-basins, and washing machine effluent.
- ABS Coronada light drainage pump 250 WKS. For wastewater (as Robusta above), but suitable also for aggressive ground water thanks to the stainless steel pump housing and a mechanical seal for shaft sealing.
- ABS IP light drainage pump, high-grade stainless steel pump for aggressive media and for the pumping of fluids containing gaseous or abrasive particles. Up to 30 mm solids passage.
- ABS light wastewater pump MF 154 W to 804 D, for wastewater with large solid particles present. Up to 40 mm solids passage.
- ABS Piranha submersible grinder pump 08/09 with heads up to 20 m which can be used to cut up and pump wastewater containing solids.

Pump selection is determined by the intended application and by the volume of the medium.



Materials

Description	Material
Tank	Polyethylene
Robusta	
Pump Housing	PP
Rotor Shaft	Stainless steel 1.4028 (AISI 420)
Impeller	PA
Seals	NBR
Cable	Neoprene
Coronada	
Pump Housing	Stainless steel 1.4301 (AISI 304)
Motor Housing	Stainless steel 1.4301 (AISI 304)
Rotor Shaft	Stainless steel 1.4305 (AISI 303)
Impeller	PPO
Cable	Neoprene
IP	
Motor housing, Volute, Rotor Shaft, Impeller, Fasteners	Stainless steel 1.4401 (AISI 316)
Mechanical Seal	Silicon carbide
Static seals	Viton
Motor Cable	PVC
Piranha 08/09 and MF	
Upper Lid	Stainless steel 1.4301 (AISI 304)
Motor Housing	Cast iron EN-GJL-250
Rotor Shaft	Stainless steel 1.4021 (AISI 420)
Volute	Cast iron EN-GJL-250
Impeller *	Polyamide
Seal	Neoprene
Fasteners	Stainless steel 1.4401 (AISI 316)

* Piranha 09: cast iron EN-GJL-250

Technical Data

Pump type:	Robusta 200 TS/KS	Coronada 250 W/KS	Piranha 08 W/KS	Piranha 08 D/KS	Piranha 09 W/KS
Pump discharge internal thread	G 1¼"	G 1¼"	G 1¼"	G 1¼"	G 1¼"
Solids passage (mm)	10	10	n.a. ⁽¹⁾	n.a. ⁽¹⁾	n.a. ⁽¹⁾
Motor power * (kW): P ₁ P ₂	0.36 0.16	0.50 0.25	1.41 1.00	1.34 1.00	2.56 1.84
Rated current (A)	1.60	1.80	6.41	2.71	11.6
Rated voltage (V)	220-240 1~	220-240 1~	220-240 1~	400 3~	220-240 1~
Speed (r/min)	2900	2900	2900	2900	2900
Cable type **	3G 1.0	3G 1.0	3G 1.0	4G 1.0	3G 1.0
Cable length (m)***	10	10	5 ⁽²⁾ , 10	5 ⁽²⁾ , 10	5 ⁽²⁾ , 10
Pump weight (kg)	3.8	4.5	18.0	18.0	23.0
Pump type:	Piranha 09 D/KS	MF 154W/KS	MF 324W/KS	MF 334D/KS	MF 354W/KS
Pump discharge internal thread	G 1¼"	G 1½"	G 1½"	G 1½"	G 1½"
Solids passage (mm)	n.a. ⁽¹⁾	20	30	30	40
Motor power * (kW): P ₁ P ₂	2.56 2.00	0.65 0.42	0.83 0.54	0.83 0.56	1.10 0.70
Rated current (A)	4.64	2.80	3.60	1.40	4.80
Rated voltage (V)	400 3~	220-240 1~	220-240 1~	400 3~	220-240 1~
Speed (r/min)	2900	2900	2900	2900	2900
Cable type **	4G 1.0	3G 1.0	3G 1.0	3G 1.0	3G 1.0
Cable length (m)***	5 ⁽²⁾ , 10	3 ⁽²⁾ , 10	3 ⁽²⁾ , 10	3 ⁽²⁾ , 10	3 ⁽²⁾ , 10
Pump weight (kg)	23.0	9.0	9.0	9.0	15.0
Pump type:	MF 404D/KS	MF 504W/KS	MF 804D/KS	IP 900D/KS	IP 900W/KS
Pump discharge internal thread	G 2"	G 2"	G 2"	G 2"	G 2"
Solids passage (mm)	40	40	40	30	30
Motor power * (kW): P ₁ P ₂	1.14 0.80	2.05 1.45	2.40 1.80	1.4 1.1	1.5 1.1
Rated current (A)	2.00	9.00	4.13	2.4	6.6
Rated voltage (V)	400 3~	220-240 1~	400 3~	400 3~	220-240 1~
Speed (r/min)	2900	2900	2900	2900	2900
Cable type **	4G 1.0	3G 1.0	4G 1.0	4G 1.0	3G 1.0
Cable length (m)***	3 ⁽²⁾ , 10	3 ⁽²⁾ , 10	3 ⁽²⁾ , 10	10	10
Pump weight (kg)	15.0	17.0	20.0	12.0	12.0

⁽¹⁾ = Piranha shredding system.

⁽²⁾ = KS version only.

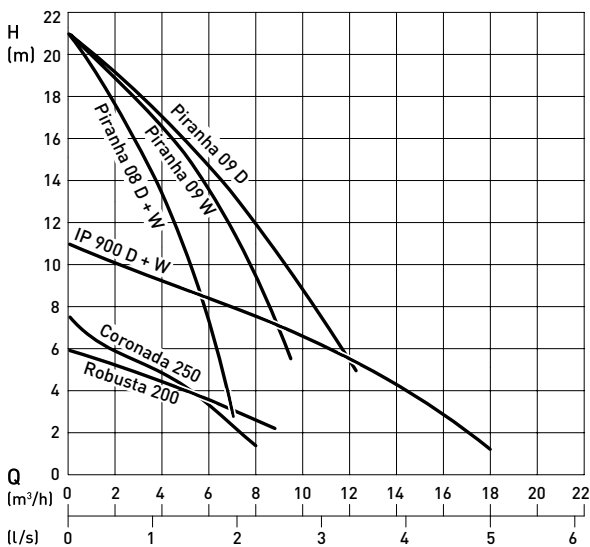
* P₁ = Power at mains, P₂ = Power at motor shaft

** Robusta, Coronada, Piranha and MF: H07RN-F with EURO plug on single phase or CEE plug on three phase.

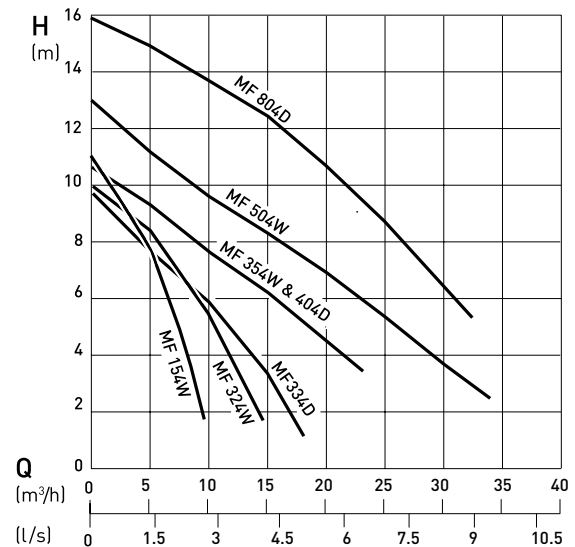
IP: H05V V-F with Euro plug on single phase or without plug on three phase.

*** Other lengths available on request

Performance Curves 50 Hz



H = Total Head; Q = Discharge Volume Curves to ISO 9906



Installation

Attention to the backwash level is of vital importance for effective dewatering. All outflow points located below the backwash level must be protected against back flow according to standard EN 12056.

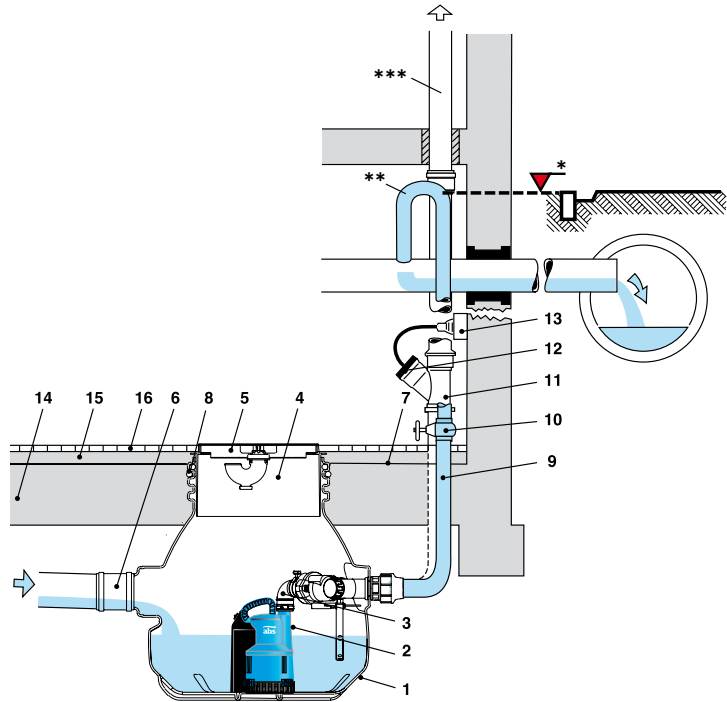
Example: Sanisett 1 underfloor

1. Polyethylene tank
2. ABS wastewater pump with TS level-control system
3. Bend with non-return valve
4. Upper fitting
5. Cover plate with floor run-off and odour lock
6. Inflow port
7. Damp-proof course
8. Seal
9. Discharge line
10. Shut-off valve
11. Vent/cable duct DN 70 brought to above roof level
12. Cable inlet, odour tight
13. Earthed socket
14. Concrete
15. Screed
16. Floor tiles

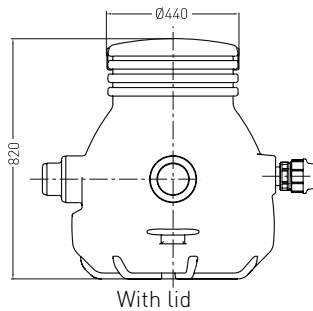
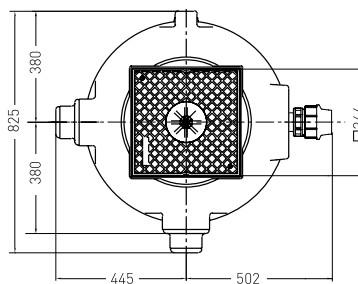
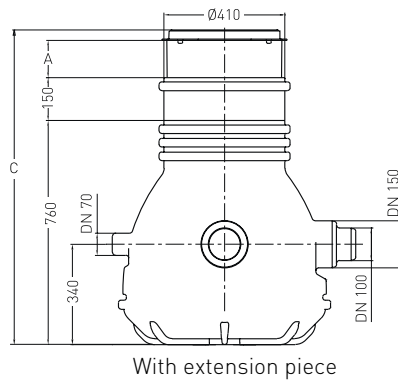
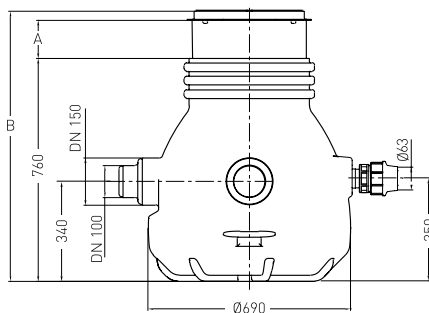
* Backwash level

** Backwash loop with base above the backwash level

*** External ventilation pipe



Dimensions (mm)



Inlet Diameters

Ø	(mm)
DN 70	ø75 -1,0
DN 100	ø110 -1,0
DN 150	ø160 -1,5

A = 130 max
B = 790 min, 920 max
C = 940 min, 1070 max

Switching (mm) and Volume Levels (L)

Tank / Pump	On (1)	On (2)	Off (1 & 2)	Switching Volume	Residual Volume
Sanisett 1 / Robusta	145	n.a.	50	34	12
Sanisett 1 / Coronada	280	n.a.	120	76	33
Sanisett 1 / IP	290	n.a.	120	78	33
Sanisett 1 / MF 154-334	290	n.a.	90	84	25
Sanisett 1 / MF 354-804	290	n.a.	90	84	25
Sanisett 1 / Piranha 08/09	290	n.a.	90	84	25
Sanisett 2 / Robusta*	200	240	75	46	19
Sanisett 2 / Coronada	200	240	75	46	19
Sanisett 2 / IP	200	240	75	46	19
Sanisett 2 / MF 154-334	200	240	75	46	19
Sanisett 2 / MF 354-804	200	240	75	46	19
Sanisett 2 / Piranha 08/09	200	240	75	46	19

* Hand-Auto switch must be set to Hand position when Robusta is installed in Sanisett 2.

Accessories

Description	Part No.
Installation Kit: Robusta, Coronada, MF 154-334 IP 900, MF 354-804 Piranha 08/09	G 1¼" external thread G 2" external thread G 1¼" external thread
Complete as discharge line with non-return valve and flexible connector. For Sanisett 2 an installation kit is required for each pump.	62665192 62665193 62665194
Sump Extension - one only to max. 150 mm may be used	62665196
Odour-lock Kit	62665195
Above-ground Lid (included as standard with above-ground version tank)	62665197
DPC Connection Kit - cast iron ring with synthetic sealing and support rings for connecting top of tank to damp-proof course.	62665198
Frank Seal Kit - Synthetic sealing and support rings for fitting to top of tank when embedded in waterproof concrete floor (max. groundwater pressure 0.2 bar).	62665231
Lid Insert (stainless steel) - closes and seals run-off vent in manhole cover	41025020
Electrical	
ABS alarm and signalling units: Alarm has test button, alarm cancel button, alarm LED, connection for alarm signal, acoustic alarm signal, voltage-free NO (Normally Opened) contact (I max 2 A / V max 25 V) for connection to remote alarm. Rechargeable accumulators for mains-independent alarm signal and alarm signal unit NSM05.	
Plug-in Alarm Kit NSM05 - for connection to 230 V (Euro) socket	62450038
Wall-mount Alarm Kit NSM05 - with cable for connection to other socket types	62455012
Plug-in Alarm - as in alarm kit but without NSM05	16020201
Wall-mount Alarm - as in alarm kit but without NSM05	16020203
NSM05 Alarm Signalling Unit Kit (Broken Finger) - with 5 m cable	62665147
NSM10 Alarm Signalling Unit Kit (Broken Finger) - with 10 m cable	62665159
Float Switch Level Control: KS 5 = 5 m cable KS 10 = 10 m cable	62450016 62450017
with Sanisett 2 use two floats	
NC-AKKU - 9 V rechargeable battery for mains-independent operation	12820018
Control Panel (for Sanisett 2) - with plastic housing, fuses, selector switch Hand-O-Automatic, switching relays with over-current release, run and fault lights, direction of rotation indication (for three-phase versions), Alarm with horn potential-free fault signal operating, voltage 230 V or 400 V, 50 Hz, terminal block. Contact ABS for further information	

